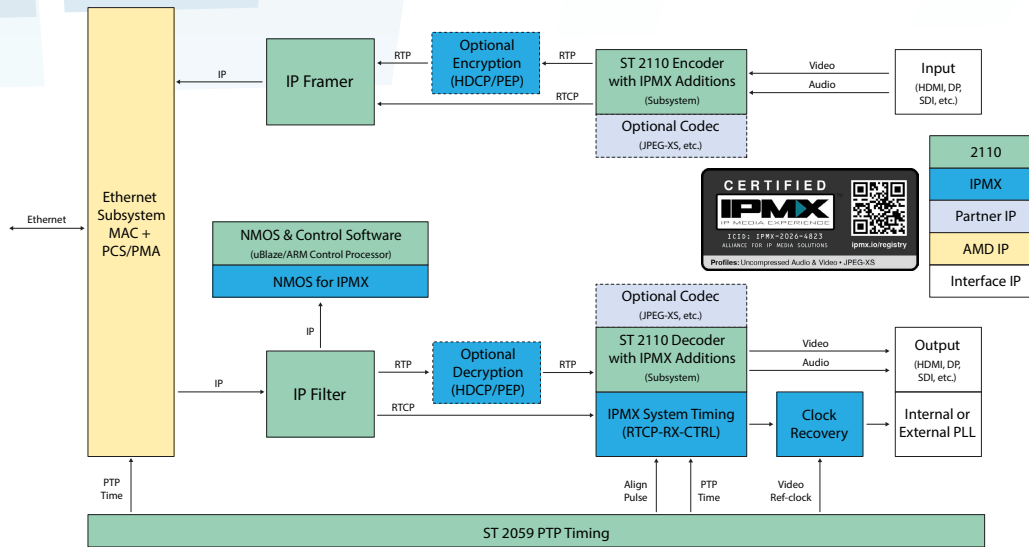


IPMX-Enable Your Products Quickly and Easily

Turnkey IPMX FPGA Cores and Software



IPMX Encoder/ Decoder Block Diagram

Nextera and Adeas offer industry leading FPGA IP cores for IPMX, ST 2110, ST 2059 PTP, and NMOS Control Software. Our cores have been broadly deployed and proven worldwide. The Nextera-Adeas HDMI IPMX TX/RX IP Reference Design is officially IPMX Certified, enabling OEMs to develop their own IPMX Certifiable products quickly and easily.

AV over IP Cores

- ST 2110 Encoder and Decoder
- ST 2059 PTP Timing
- IP Framer and Filter
- NMOS IS-04, IS-05, IS-08, IS-09, IS-10, IS-11
- NMOS for IPMX
- IPMX System Timing (RTCP)
- Clock Recovery

Key Features

- IPMX Certified Reference Design
- TR-08 Compliant (requires JPEG-XS Core)
- Included IPMX support for:
 - TR-10-1 (System Timing)
 - TR-10-2 (Video)
 - TR-10-3 (Audio)
 - TR-10-4 (Ancillary)
 - TR-10-8 (NMOS)
- Networks with and without a Common Clock Reference
- Fully integrated and modular solution
- ST 2110 and NMOS base cores have been interop tested and proven in Broadcast TV
 - www.jt-nm.org/jt-nm-tested

Video Specifications

- Uncompressed & Compressed (JPEG-XS, etc.)
- Format and Frame Rate Independent
- Any Resolution: Video/Computer up to 8K+
- Any Network: 1G, 2.5G, 5G, 10G, and 25G+
- Any Color Space: RGB or YCbCr (w/ Key)
- Any Color Sampling: 4:4:4, 4:2:2, or 4:2:0
- Any Bit Depth: 8, 10, 12, or 16 bit

Audio Specifications

- Sample Rate Independent
- Programmable packet time
- L16, L20, L24, AES3

Deliverables

Delivered as RTL IP Cores, including all PetaLinux software drivers, daemons, system control software, and a Web GUI, along with:

- Product Guides
- Application Note
- HDMI IPMX TX/RX IP Demo Design



sales@nexteravideo.com
www.nexteravideo.com
+1 (650) 600-9686